

iFLOW CHECK VALVE

(Part No. 21114011)

Johnson Controls supply the iFLOW check valve with a 3/4 in. male coupling (Part No. 30600205) and Dowty seal (Part No. 95108010). It interconnects with two hoses (Part No. 91116026 and 91116030). A Dowty seal fastens the male end of the hose. The female end of the hose connects to the 3/4 in. male coupling supplied with the iFLOW check valve. The inlet to the iFLOW check valve is fitted with a female swivel nut. This fits directly on to the outlet of the iFLOW container valve. When necessary, a blind cap (Part No. 30390160), ordered separately, blanks off any unused ports. A Dowty seal (Part No. 95108010) fastens this blind cap.

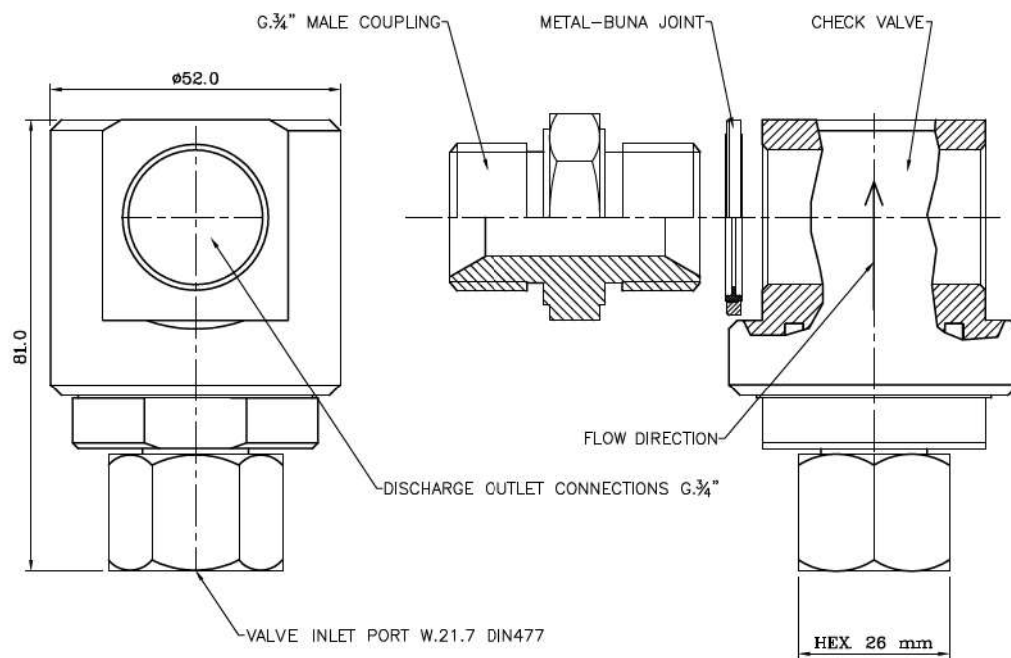
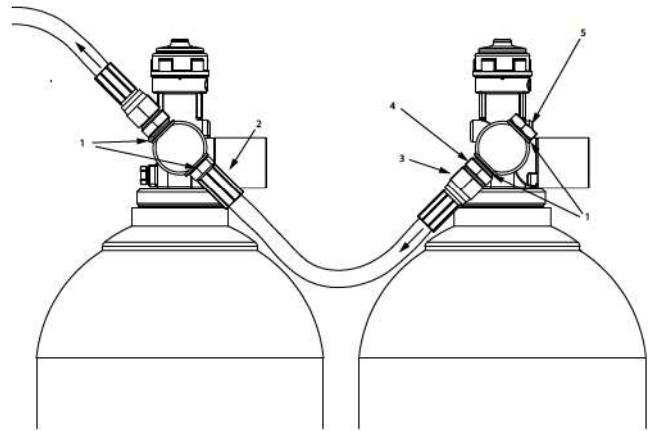


FIGURE 3-38
iFLOW CHECK VALVE
025751

iFLOW CHECK VALVE (Continued)

Technical information

Body:	Brass
Cap:	Brass
Piston:	Brass
Nut:	Brass
Spring:	Stainless steel
3/4 in. male coupling:	Zinc plated steel
Inlet connection thread:	W.21.7 DIN 477
Outlet connection thread:	G 3/4 in. ISO228
Typical working pressure:	60 bar at 20 °C
Maximum working pressure:	140 bar
Test pressure:	140 bar
Cross sectional area:	113 mm ²
Weight:	0.70 kg
Maximum torque:	50 N·m
Approvals and listings:	VdS, A2P
Certification:	EN 12094-13
CE certification number:	0786-CPR-30138
Year of CE marking:	2011
CE marking requirements:	Manufacturer, part number, 3/4 in., working pressure, direction of flow, serial number, CE0786
Method of marking:	Engraving
Overall size:	81 mm x Dia 52 mm



Item	Description
1	3/4 in. Dowty seal (Part No. 95108010)
2	Male end of hose
3	Female end of hose
4	Male coupling (Part No. 30600205)
5	3/4 in. blind cap (Part No. 30390160)

FIGURE 3-39
iFLOW HOSE CONNECTION DETAILS
 025311

Location on system

The iFLOW check valve connects between the container valve and the discharge hoses. For installation instructions, see Section 4 - Installing the iFLOW Check Valve.

Operating instructions

The manifold check valve automatically opens on system discharge and closes at the end of discharge. It requires no operating instructions.