

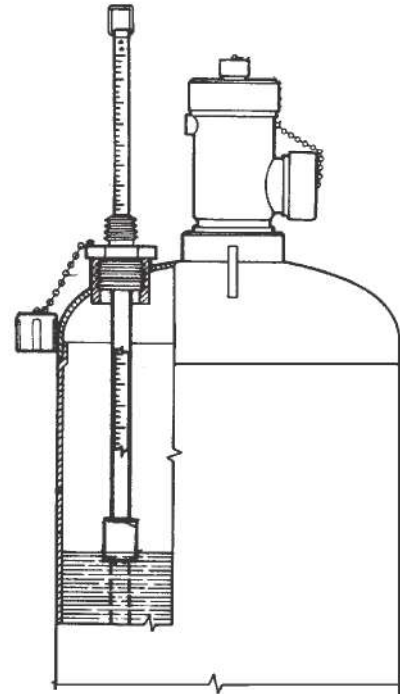


## Liquid Level Indicator

The liquid level indicator is used to measure the level of liquid Novec™ 1230 agent in the tanks. The amount (weight) of agent is determined by converting the level measurement into a weight measurement using the weight conversion tables located in this manual.

The liquid level is found by lifting the measuring tape from inside the tube to the end (or approximately 3 in. (7.6 cm) above the anticipated liquid level) and slowly lowering the tape until a magnetic interlock with the float is felt. The tape will then remain in the up position, allowing a reading at the top of the housing. This measurement is accomplished without removing the tank from the fire suppression system.

The indicator can be installed in empty tanks with the proper port or tanks can be ordered with the indicator already installed.



006255

Component	Material	Approvals
Liquid Level Indicator	Body: Brass Tape: Steel	UL Listed ULC Listed FM Approved

Shipping Assembly Part No.	Description
570277	Liquid Level Indicator for 280 lb Tank
570278	Liquid Level Indicator for 390 and 850 lb Tanks
570589	Liquid Level Indicator for 450 lb Tank