

**INFORMATION SHEET**

**DESCRIPTION**

The RIM800 Addressable Relay Interface Module provides one volt-free changeover contact output unsupervised. The relay is controlled by a command sent from the Tyco MX Control and Indicating Equipment (c.i.e.) via the MX addressable loop and may be used to signal states to other systems (e.g. security systems) or to energise loads such as Door Holders. The relay operation is determined by the c.i.e. programming. The RIM800 has a red LED which may be configured to indicate relay activation and c.i.e. polling.

**MOUNTING**

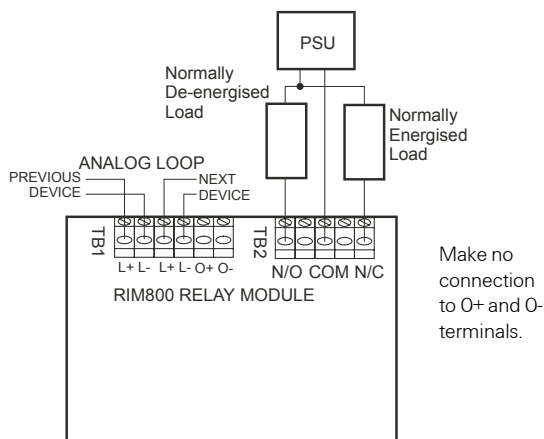
The RIM800 is supplied as an open circuit board (PCB) with mounting hardware and must be fitted in a suitable enclosure. It may be mounted on a gear plate using plastic standoffs, to an M520 Ancillary Cover and K2 142 back box, or fitted into a D800 Ancillary Housing. The K2 142 mounting box provides a convenient surface mounting enclosure and the M520 Cover is designed to accommodate the RIM800.

**ADDRESS SETTING**

The RIM800 is shipped with a default (invalid) address of 255 and must be set to the correct loop address using the 801AP MX Service Tool.

**WIRING**

The RIM800 is wired as shown.



**SPECIFICATIONS**

Loop Voltage <sup>1</sup>	20V to 40Vdc
Quiescent Current	285µA
Alarm State Current <sup>2</sup>	2.8mA
Relay Contact <sup>3</sup> (maximum)	2A @ 30Vdc
Max. RIM800 per Loop <sup>4</sup>	200/250
Ambient Temperature	-25°C to +70°C
Storage Temperature	-40°C to +80°C
Relative Humidity	10% to 95% (non cond.)

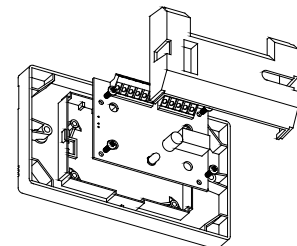
*Indoor Applications Only*

Dimensions (HWD)	61 x 84 x 25 mm
Wire Size (maximum)	2.5sq. mm

**Part Numbers**

RIM800	RIM800 PCB
M520	Ancillary Cover
K2 142	Back box
557.201.401	D800 Ancillary Housing

1. Addressable loop voltage provided by MX c.i.e. 2. With LED on.  
3. Relay current is for resistive load. 4. MX4428/MX1, 4100MXP. Refer to appropriate manual: LTO273 (MXP), LTO313 (4100MXP), LTO360 (MX1-NZ), LTO441 (MX1-Au) for design specifications.



M520 Ancillary Cover, RIM800 PCB and cover