

INFORMATION SHEET

DESCRIPTION

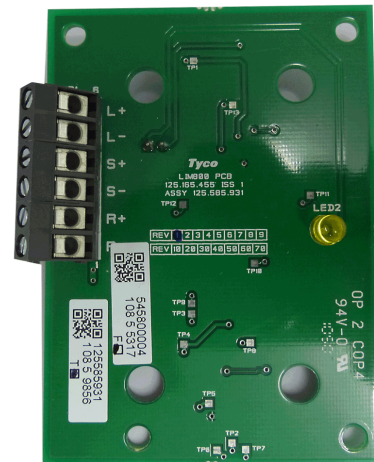
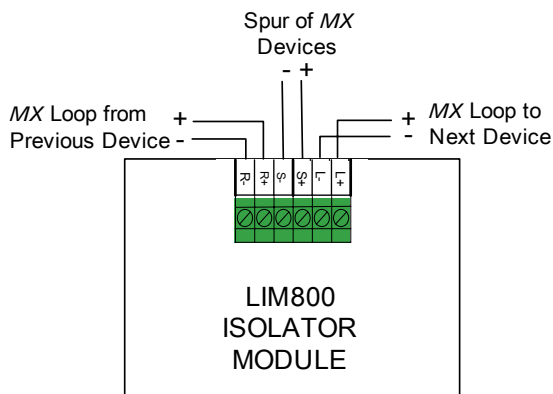
The LIM800 is an *MX* Addressable Loop Isolator Module that can be used to provide short circuit isolation between zones or portions of the *MX* addressable loop. LIM800s are installed at appropriate positions around the *MX* loop to monitor the loop voltage either side of the device. If the voltage drops to zero volts (e.g. due to a short), the two LIM800s either side of the short open their electronic switches and isolate the shorted section allowing the rest of the loop to be driven by the *MX* Control and Indicating Equipment (c.i.e.). The LIM800 includes an additional spur output that can be wired to additional *MX* devices (usually all in one zone). If a short occurs on the spur, the two electronic switches in the LIM800 operate and disconnect the shorted spur from the loop. The LIM800 includes a yellow LED to indicate when one of its connections is shorted. The LIM800 supports up to 100 IB units of *MX* load on each connection, so additional LIM800s can be installed on long sections of cable to isolate each block of devices. Refer to the appropriate c.i.e. manual for technical design specifications.

MOUNTING

The LIM800 is supplied as an open circuit board (PCB) with mounting hardware and must be fitted into a suitable enclosure. It may be mounted on a gearplate using plastic standoffs, to an M520 Ancillary Cover and K2 142 back box, or into a D800 Ancillary Housing. The K2 142 mounting box provides a convenient surface mounting enclosure and the M520 cover is designed to accommodate the LIM800.

WIRING

LIM800 wiring:



SPECIFICATIONS

Loop Voltage ¹	20V to 40Vdc
Input Current	
Normal	80µA
Tripped (max)	10mA
Series Resistance (max)	0.25 Ohm
Equivalent Capacitance	0.5nF
IB Units between Isolator	100
Max. LIM800 per Loop ²	200/250
Ambient Temperature	-25 °C to +70 °C
Storage Temperature	-40 °C to +80 °C
Relative Humidity	10% to 95% (non cond.)
<i>Indoor Applications Only</i>	
Dimensions (HWD)	61 x 84 x 14 mm
Wire Size (maximum)	2.5sq. mm

Part Numbers

545.800.004	LIM800 PCB
M520	Ancillary Cover
K2 142	Back box
557.201.401	D800 Ancillary Housing

1. Addressable loop voltage provided by *MX* c.i.e.

2. Maximum number of devices between 5BI limited to 40 for AS 1670.1-2004 systems. Refer to LT0273 (MXP), LT03 13 (4100MXP), LT0360 (MX1-NZ), LT044 1 (MX1-Au) for design specifications