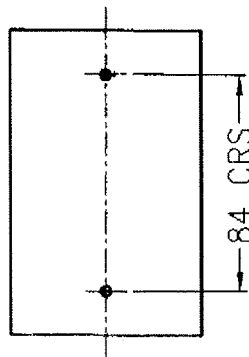
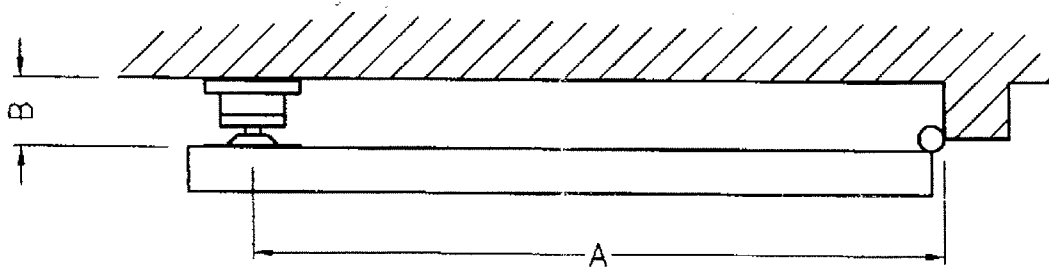


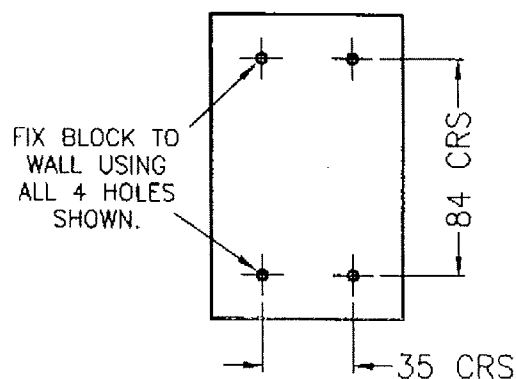
## ELECTRO-MAGNETIC DOOR HOLDER FP0100/FP0101 INSTALLATION INSTRUCTIONS

1. **FLUSH MOUNTING MAGNET ASSEMBLY**  
Open door and mark position of door holder. Install standard electrical flush mounting box (supplied by installer). Connect wires to magnet terminals and fix magnet assembly to flush mounting box. With door open, align keeper plate and magnet face within  $\pm 1\text{mm}$ . Fix keeper plate to door using screws supplied.
2. **MOUNTING MAGNET ASSEMBLY WITH SURFACE MOUNTING BLOCK**  
Open door and mark position of door holder. Fix standard electrical mounting block (supplied by installer) to wall. Connect wires to magnet terminals and fix magnet assembly to mounting block. With door open, align keeper plate and magnet face within  $\pm 1\text{mm}$ . Fix keeper plate to door using screws supplied.
3. The nominal working voltage for door holder FP0100 is  $12\text{Vdc} \pm 20\%$  at 0.1 amps. The nominal working voltage for door holder FP0101 is  $24\text{Vdc} \pm 20\%$  at 0.05 amps.
4. For maximum pull, the door holder should be mounted as shown below with magnet and keeper plate parallel. Length "A" must be at least 3 times length "B" for the door holder to provide adequate pull.
5. plastic mounting hole caps are supplied with each door holder, 2 loose in packaging and 2 are press fitted to the back of the door holder plastic cover plate.

### PLAN VIEW OF MOUNTED DOOR HOLDER



FLUSH MOUNTING DETAIL



BLOCK MOUNTING DETAIL

### ADVISED MOUNTING DETAIL

Recommend flush mounting box and mounting block.

PDL Flush Mounting Box Cat. 144MT

PDL Mounting Block Cat. 537

HPM Flush Mounting Box Cat. 429

HPM Mounting Box Cat. 140

**Note:** It is advisable to provide a reverse connected diode across the terminals of the electromagnet, to prevent the driving circuit from being affected by the back EMF when the circuit is opened.