

Olsen ADM131 – Mini Monitor Module

Specifications

| | |
|------------------------------------|--------------|
| Operating Voltage | 18 to 28Vdc |
| Quiescent Current (max) | 250µA |
| Supervised Line Length (max) | 100m |
| Cable Length | 150mm |
| Relative Humidity (non condensing) | 95% R.H |
| Ambient Temperature | -5° to +45°C |

Description

The ADM131 is an addressable input module that allows the connection of (normally open) hard contact detection devices to Tyco MX4428 analogue addressable systems.

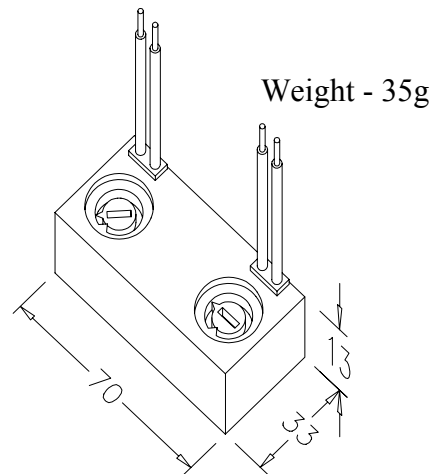
Suitable hard contact devices include the Olsen T56B with Z56N base, the Olsen T54B and the Manual Call Point (part number SU0165) from Tyco.

The module's two-wire zone input is supervised for open circuit faults. The

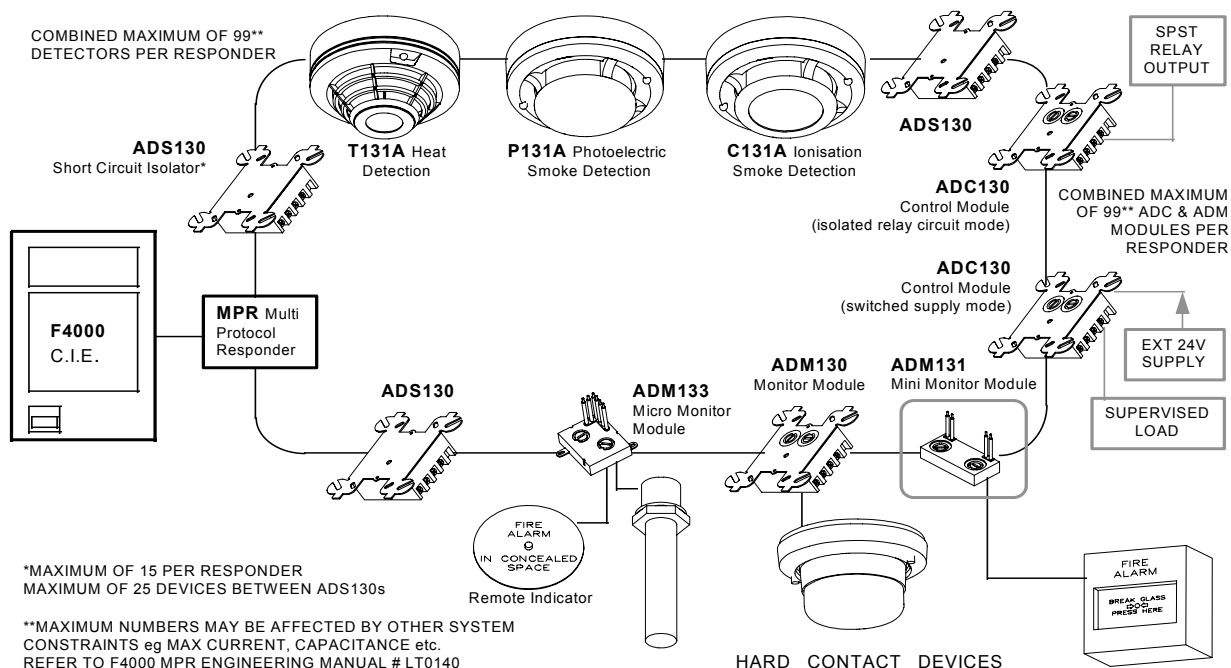
ADM131 is easily addressed using two robust rotary switches.

Being compact and light weight, the ADM131 is simple to mount with rigid fixing not required.

Dimensions



System Diagram



For more detailed information, please consult Tyco MX4428 manuals. Connection details are supplied with each product.