

## Olsen ADC130 – Control Module

### Specifications

Operating Voltage	18 to 28Vdc
Quiescent Current (max)	250µA
Supply Current (max output on)	6 mA
Relay Contact Rating (max)	
Resistive	2A 30Vdc
Inductive	1A 30Vdc
Supervised Line Length (max)	100m
Cable Size	1 to 4mm <sup>2</sup>
Relative Humidity (non condensing)	95% R.H
Ambient Temperature	-5° to +45°C

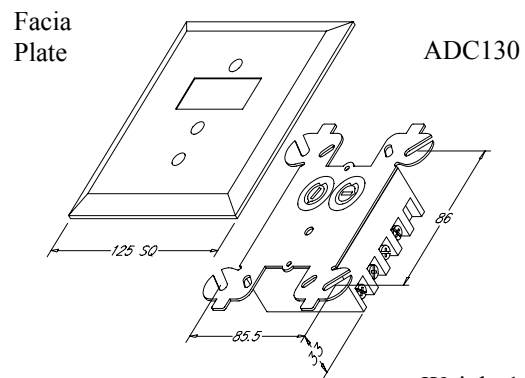
can also be supervised. In isolated relay mode, the module provides an isolated, SPST relay.

The ADC130 includes a magnet actuated test that checks the operation of the module's electronics and fire panel interface. An in-built LED provides indication of module status.

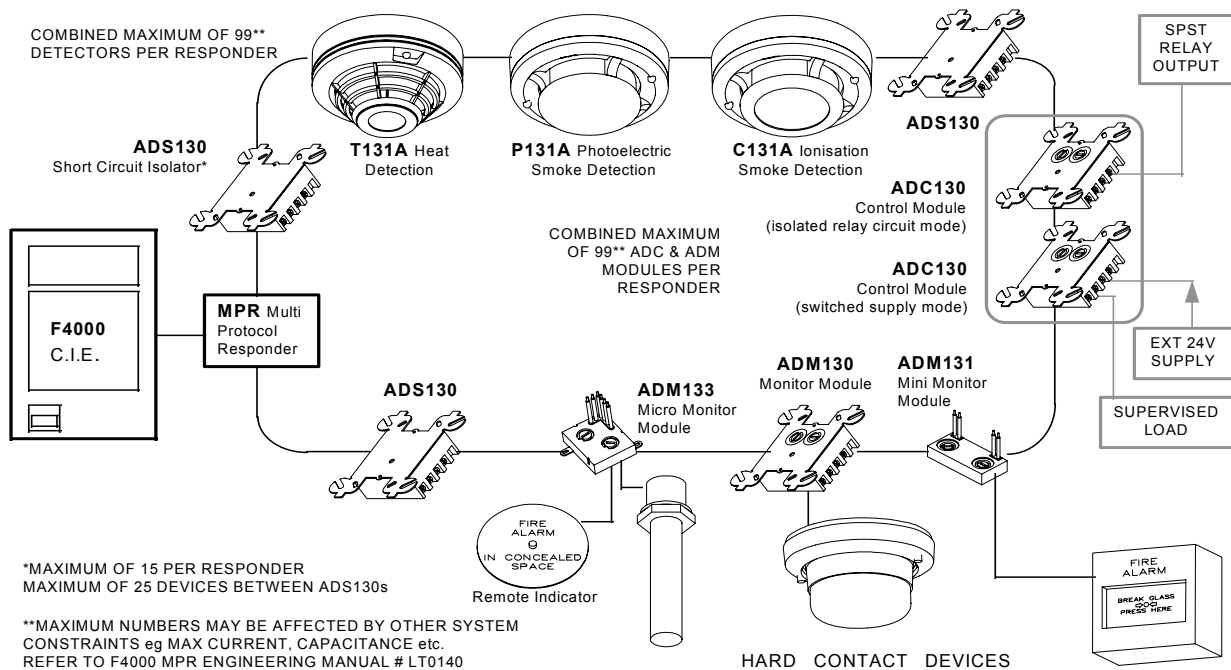
### Description

The ADC130 is an addressable module used to switch external loads. The ADC130 has two modes of operation. In switched supply mode, the ADC130 switches an external power source, through supervised wiring, to a load. By using an external relay, the power supply

### Dimensions



### System Diagram



For more detailed information, please consult Tyco MX4428 manuals. Connection details are supplied with each product