

### Features

**IDNet or MAPNET II addressable communications supply both data and power over a single wire pair to provide\*\*:**

- Supervised Class B monitoring of normally open, dry contacts
- Total wiring distance from IAM to supervision resistor(s) of up to 500 ft (152 m)
- Monitored connection is compatible with Simplex® 2081-9044 Overvoltage Protectors for outdoor wiring or electrically noisy applications
- For use in indoor locations up to 158° F (70° C) such as attic spaces or similar applications

**For use with following Simplex control panels:**

- Model Series 4008, 4010, 4010ES, 4100U and 4100ES fire alarm control panels for IDNet communications
- Model Series 4100/4100U/4100ES, 4120, 4020, and 2120 Communicating Device Transponders (CDTs) equipped with MAPNET II communications

**Model 4090-9001:**

- Enclosed design minimizes dust infiltration
- Mounts in standard single gang electrical box
- Screw terminals for wiring connections
- Visible LED flashes to indicate communications
- Optional covers are available to allow LED to be viewed after installation (requires mounting bracket, ordered separately)

**Model 4090-9051:**

- Encapsulated design for extended exposure to high humidity (LED is not present on this model)
- Color coded 18 AWG leads for wiring

**IDNet communications provides current limited monitoring:**

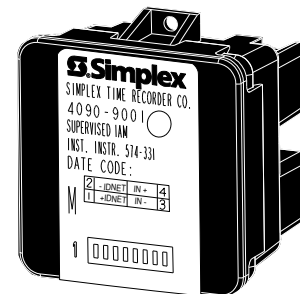
- Provides monitoring of tamper switch (supervisory) and waterflow switch (alarm) on same circuit using one point
- Available with IDNet communications only

**Multiple operation modes are available and are selectable at the control panel:**

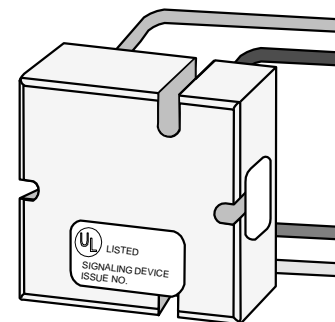
- Contact closure status can be tracked
- Momentary contact closure conditions can be selected at the panel to be latched or tracked (not available with the 2120 CDT)

**UL listed to Standard 864**

\* These products have been approved by the California State Fire Marshal (CSFM) pursuant to Section 13144.1 of the California Health and Safety Code. See CSFM Listing 7300-0026:223 for allowable values and/or conditions concerning material presented in this document. It is subject to re-examination, revision, and possible cancellation. Accepted for use – City of New York Department of Buildings – MEA35-93E. Additional listings may be applicable; contact your local Simplex product supplier for the latest status. Listings and approvals under Simplex Time Recorder Co. are the property of Tyco Safety Products Westminster.



4090-9001 Supervised IAM  
(shown approximately 3/4 size)



4090-9051 Supervised IAM  
(shown approximately 3/4 size)

### Description

**Individual addressable modules (IAMs)** receive both power and communications from a two-wire MAPNET II or IDNet circuit. They provide location specific addressability to a single initiating device (such as single station smoke detector alarm contacts or heat detector contacts) or multiple devices at the same location by monitoring normally open dry contacts and the wiring to an end-of-line resistor.

**Model 4090-9001** is packaged in a thermoplastic housing and provides screw terminal connections and a status indicating LED.

**Model 4090-9051** is an encapsulated package with wire leads. It does not provide a status indicating LED.

## Operation

**Contact Closure.** Closure of the monitored contact(s) initiates an alarm or other response as programmed at the fire alarm control panel. An open in the monitored circuit wiring will cause a trouble to be reported.

**Panel Selections.** Selections can be made at the control panel to maintain the alarm condition if the initiating device contacts are momentary, such as from a rate-of-rise heat detector, or to track the device contact status (not available with the 2120 CDT).

## Current Limited Operation Applications

**For use with IDNet communications only,** these IAMs can provide quad-state sensing of normal, open circuit, short circuit, and current limited conditions. (Program type is “T-sense.”) With the proper end-of-line and current limiting resistors, dual functions such as tamper switch and waterflow switch monitoring can be determined and communicated by a single addressable point.

## IAM Product Selection

Model	Description
4090-9001	Supervised IAM, mounted in thermoplastic housing with screw terminals; see applicable options below
4090-9051	Supervised IAM, encapsulated with wire leads

### Optional Trim Plates and Mounting Bracket for Model 4090-9001

Model	Description
4090-9806	For semi-flush mounted box
4090-9807	For surface mounted box
4090-9810	Mounting bracket, mounts IAM to electrical box and provides screw holes for trim plate, <b>required for optional trim plates</b>

Trim plate with LED viewing window, requires 4090-9810 mounting bracket, includes mounting screws; galvanized steel

### End-of-Line Resistor Harnesses (ordered separately as required)

Model	Reference No.	Description
4081-9004	733-886	6.8 kΩ, 1/2 W; Standard end-of-line resistor harness for N.O. contact supervision
4081-9003	733-896	4.7 kΩ, 1/2 W
4081-9005	733-984	1.8 kΩ, 1/2 W

Use for current limited monitoring applications

## Specifications

### Electrical

Power and Communications	MAPNET II or IDNet, auto selected, 1 address per IAM	
Input Requirements	Normally open, dry contacts	
Wire Connections	4090-9001	Screw terminals for in/out wiring, 18 to 14 AWG wire (0.82 mm <sup>2</sup> to 2.08 mm <sup>2</sup> )
	4090-9051	Color coded wire leads, 18 AWG (0.82 mm <sup>2</sup> ), 8" long (203 mm)
Reference Documents	Installation Instructions	574-331 for 4090-9001; 579-572 for 4090-9151
	Field Wiring Diagrams	842-073 for IDNet operation; 841-804 for MAPNET II operation

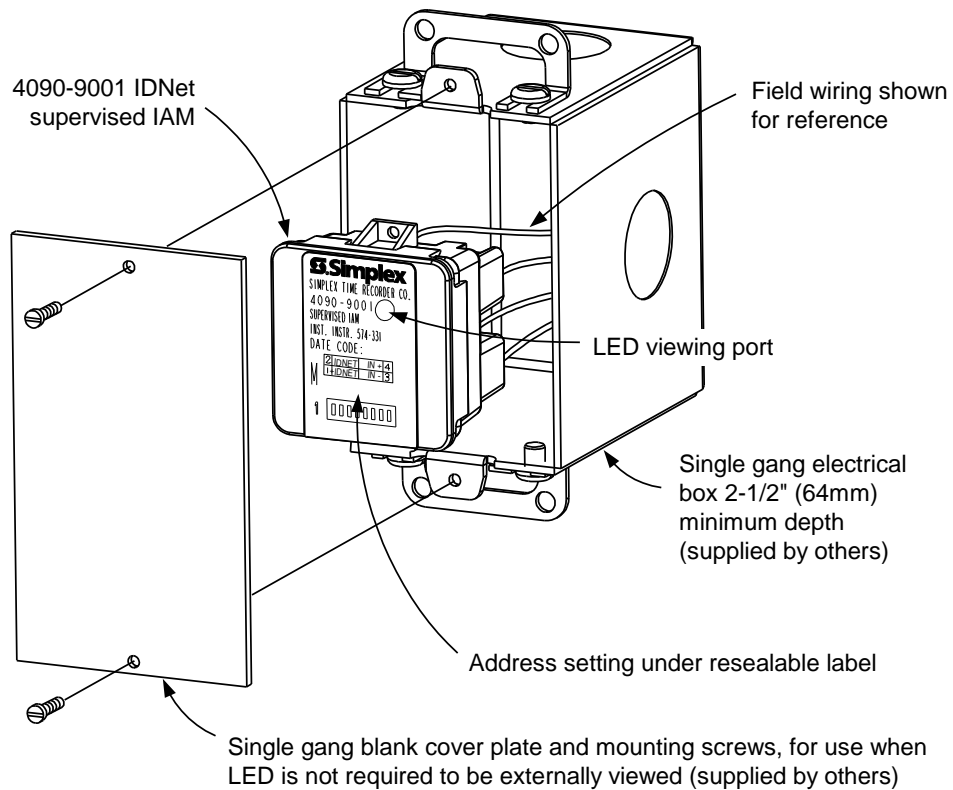
### Wiring Distances

Distance from IAM to Contacts	500 ft (152 m) maximum without protectors
	400 ft (122 m) maximum with 2081-9044 Overvoltage Protectors
Wiring Distance Reference per channel, MAPNET II or IDNet Communications	2500 ft (762 m) maximum from fire alarm control panel
	10,000 ft (3048 m) maximum total wiring distance (including T-Taps)

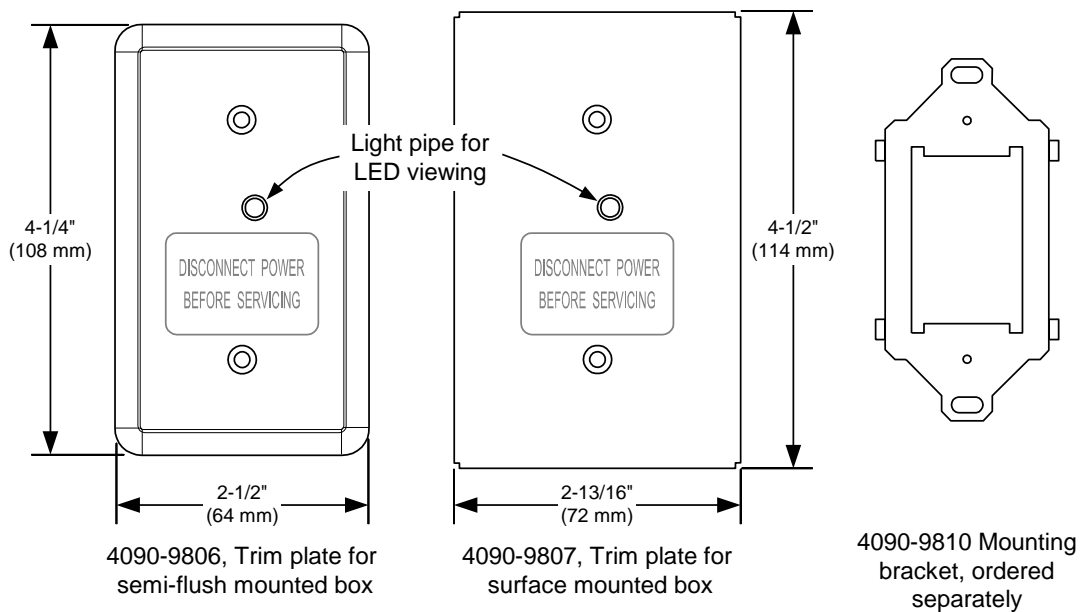
### Mechanical

Dimensions	4090-9001	1-9/16" W x 1-3/4" H x 1-1/4" D (40 mm x 44 mm x 32 mm)
	4090-9051	1-9/16" W x 1-9/16" H x 9/16" D (40 mm x 40 mm x 14 mm)
Housing Material, 4090-9001	Black thermoplastic	
Encapsulation Material, 4090-9051	Epoxy, beige	
Temperature Range	32° to 158° F (0° to 70° C); intended for indoor operation	
Humidity Range	Up to 93% RH at 100° F (38° C)	

## Mounting Information



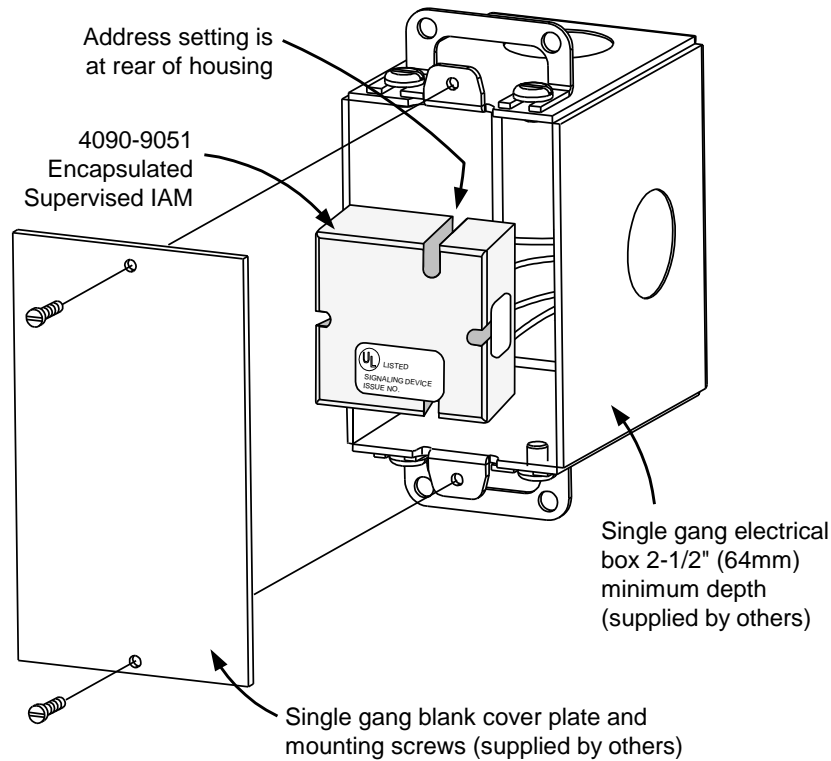
### Mounting Reference, Single Gang Blank Cover Plate



**NOTE:** These mounting plates require mounting bracket 4090-9810.

### Optional Trim Plates and Mounting Bracket for Visible LED

## 4090-9051 Mounting Information



*Tyco is a registered trademark of Tyco International Services GmbH and is used under license. Simplex, the Simplex logo, IDNet, and MAPNET II are trademarks of Tyco International Ltd. and its affiliates and are used under license.*